



CASING AND ACCESSORY

Conductor

Tie-back liner

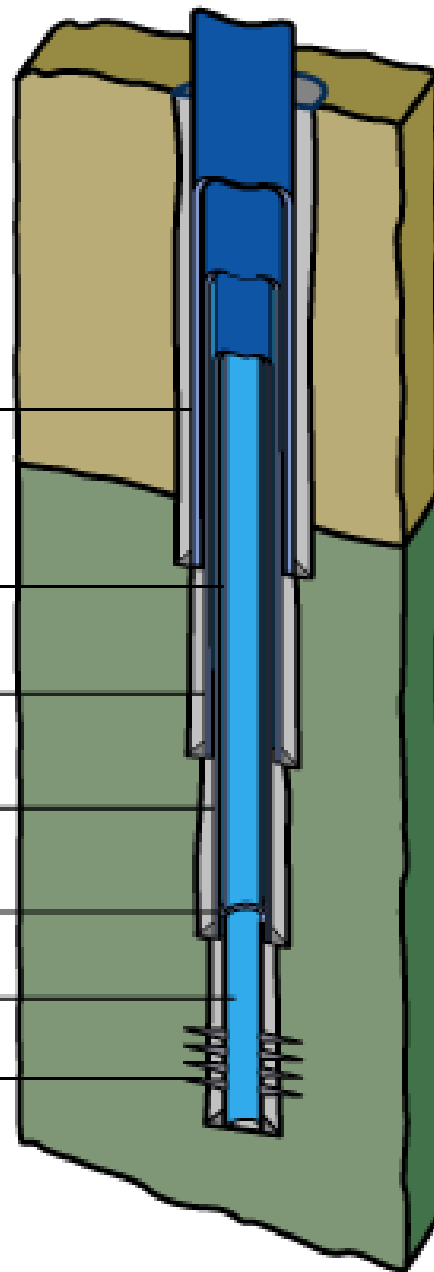
Surface casing

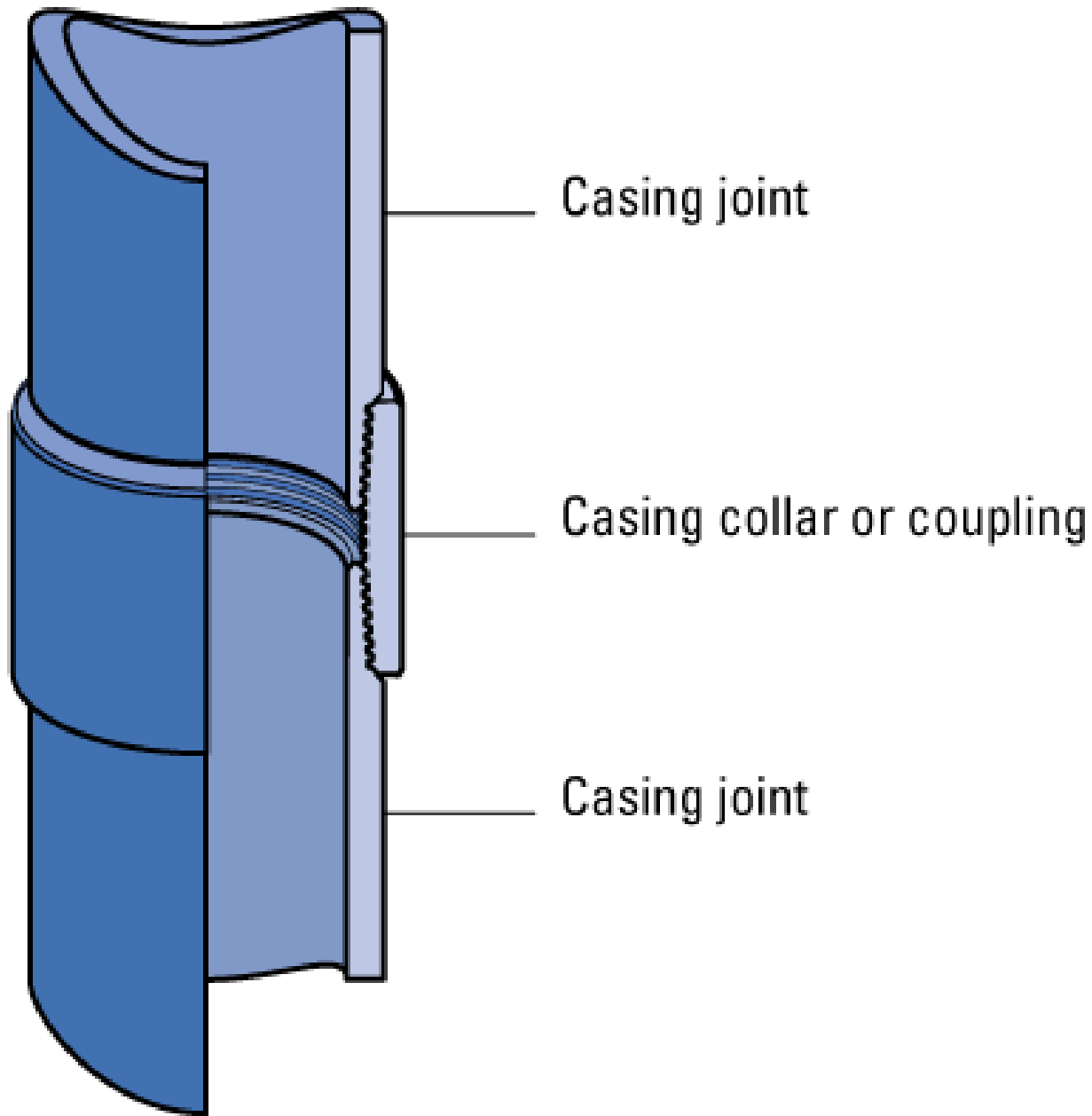
Intermediate casing

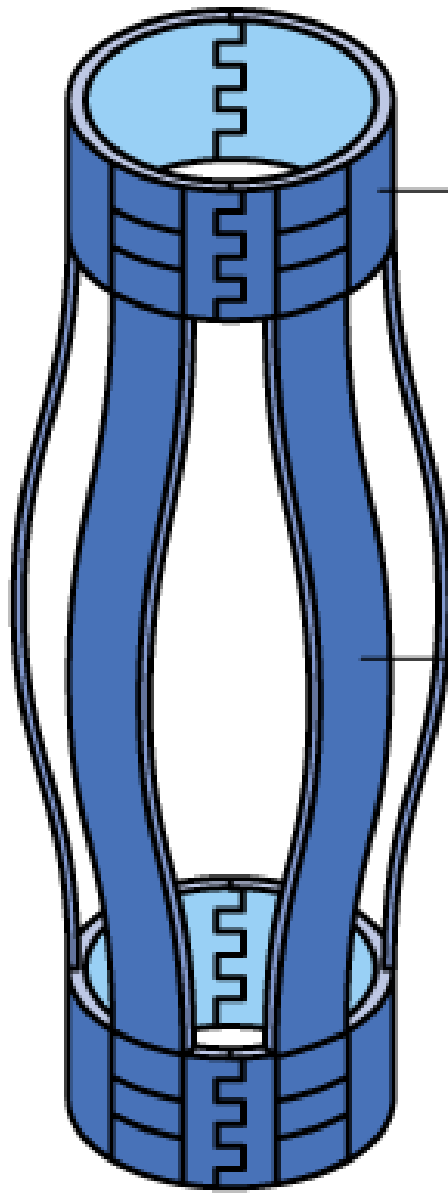
Liner hanger

Production liner

Perforated interval

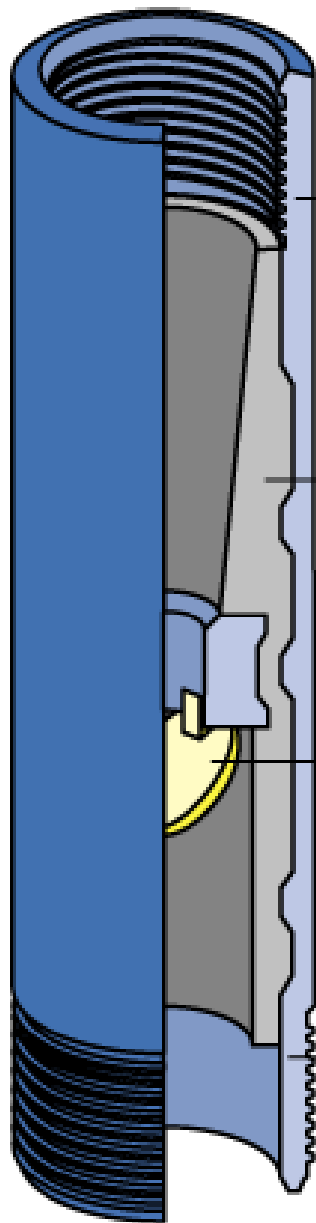






Hinged collar to secure
centralizer on casing
or liner

Bowspring profile to
maintain casing string
centralized in the wellbore



Thread for connection
to casing or liner string

Internal components made
from cement or similar
drillable material

Flapper check valve
(optional ball and
seat-valve configuration)

Thread for connection
to casing or liner string

